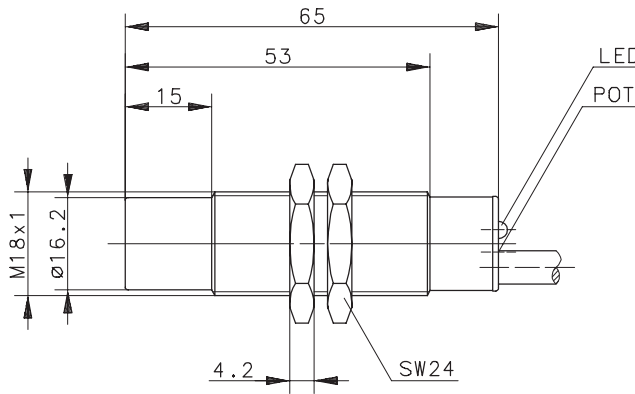


Type: KCN-T18PU/008-KLP2V	Art.-No.: 650.7821.001	04.05.05/0372-05
----------------------------------	-------------------------------	------------------



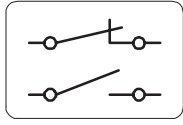
General Features	
housing	PA 6
protection	IP 65; NEMA 12
operating temperature	-25°C to 70°C
termination type	cable 4 x 0,34 mm ² x 2 m
protection against reverse supply polarity	
max. transient voltage rate	500 V; 1,2/50 μs at Ri = 42 Ω
permanent overload and s.c.p.	
indication	2 LED ¹⁾
sensing distance adjustable	

Options / Comments

1) Outputs:
 LED green \triangle N.C.
 LED yellow \triangle N.O.

Wiring Diagram:

Electrical Output



Complementary Output, DC
PNP 4 – wire

Characteristics			Remarks
rated operating distance	s_n	8 mm	$s_r = s_n \pm 10 \%$
sensing range	s_d	1 ... 8 mm	
mounting		non flush	
rated operational voltage	U_e	12 – 48 V DC	
operational voltage range	U_B	10 – 60 V DC	incl. ripple frequency
rated operational current	I_e	3 200 mA	
inrush current	I_k	—	only AC
off-state current	I_R	3 0,5 mA	
non-load supply current	I_o	< 10 mA; < 20 mA	at 12 V; 48 V
voltage drop	U_d	9 2 V	at 200 mA
hysteresis	H	3 20 %	relative to s_r
repeat accuracy	R	3 10 %	
time delay before availability	t_v	< 50 ms	
frequency of operating cycles	f	9 25 Hz	